

PeepHole Viewer

The Digital PeepHole!

PHV 132512/PHV 132514

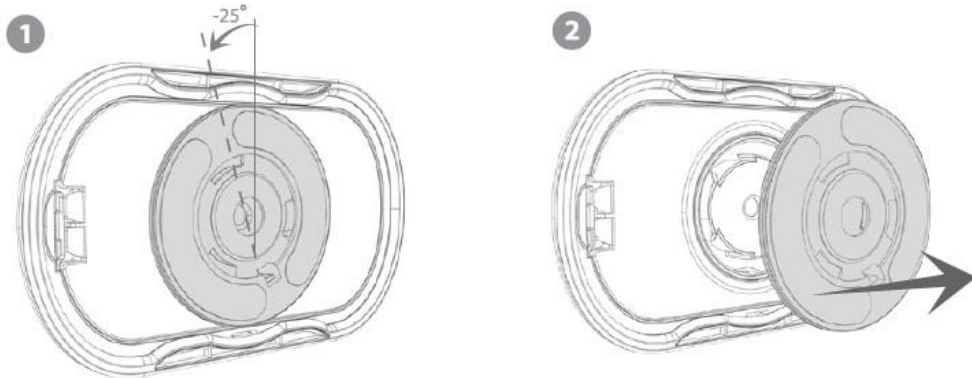
User Manual



PRODUCT PRESENTATION

01- PeepHole Viewer

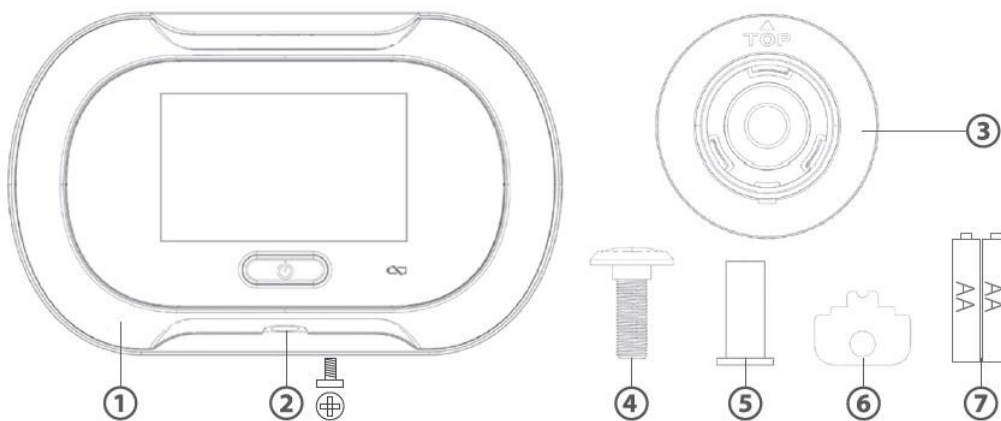
⚠ Notice



EN Notice

⚠ Please turn the flange 25 degrees to the left (counter clockwise) to remove the flange from the unit and prepare to install.

02 PeepHole Viewer

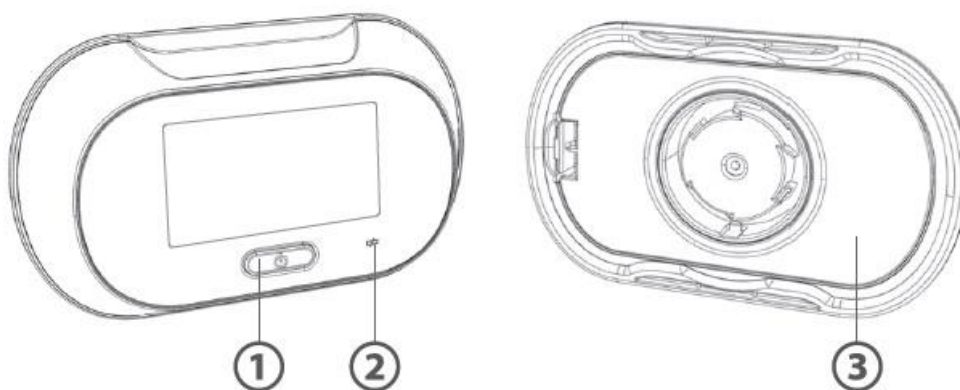


EN Package Contents

- ① PeepHole Viewer ② Locking Screw ③ Base Flange ④ PeepHole Lens ⑤ PeepHole Barrel
⑥ Tightening Tool ⑦ 2 AA Batteries

⚠ For best results please use the PeepHole included.

03 PeepHole Viewer

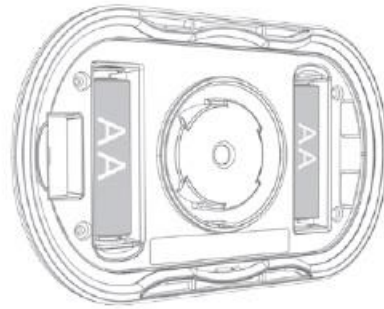
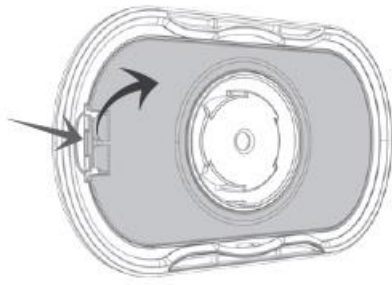


EN

- ① Power button ② Battery Low Light ③ Battery cover

**⚠ IF THE LOW BATTERY LIGHT IS FLASHING,
PLEASE REPLACE THE BATTERIES.**

⚠ Before Installation

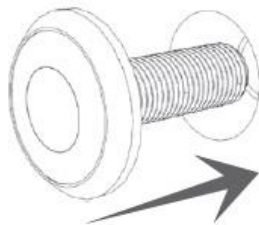


EN Before Installation

⚠ Prior to mounting the PeepHole Viewer, please make sure you have installed the batteries included.

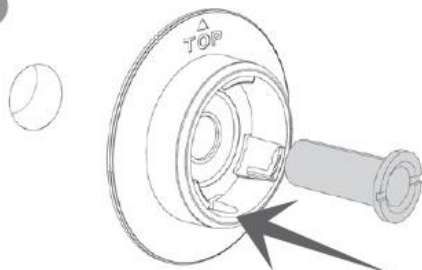
INSTALLATION

1

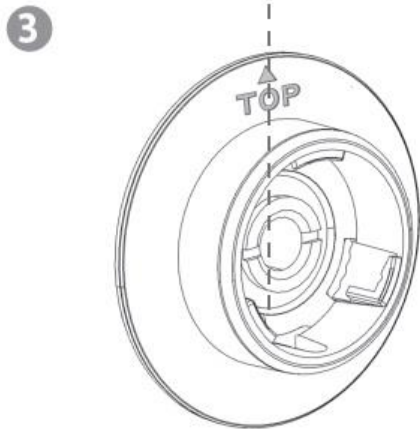


EN Insert PeepHole lens in the outside of the door.

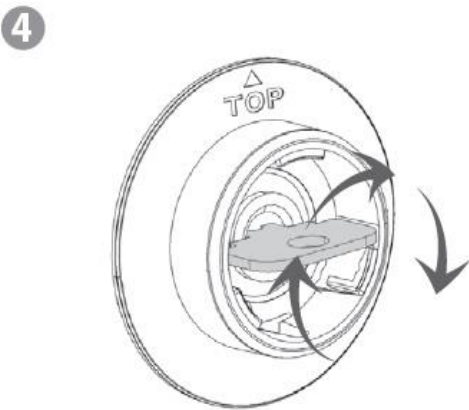
2



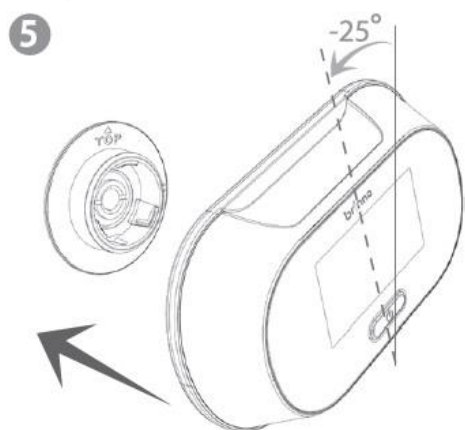
EN Insert the PeepHole barrel through Base Flange and insert both into the hole on the inside of the door.
Tighten the PeepHole Barrel with your fingers.



EN When the barrel is snug, rotate the Base Flange until the TOP icon is at 12 o'clock (vertical).



EN Use the Tightening Tool included to tighten the PeepHole barrel.



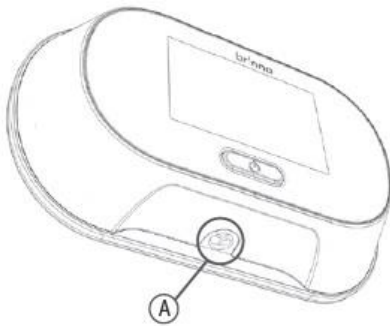
EN Hold the PeepHole Viewer at a -25 degree counter-clockwise position and insert it onto Base Flange.

6



EN Rotate the PeepHole Viewer clockwise until horizontal and you feel it lock in place.

7



A Locking Screw

EN Use the screwdriver to tighten the Locking Screw.



EN Finished

Press the Power button, and check the Image on the LCD. Now you can press the Power button again a few times to practice cycling through the different viewing modes.

EN Specifications

PHV132512: - PeepHole barrel: 12 mm

- fits any door 35~57mm(1.38"~2.24") thick.

- View Angle:

Regular Mode : 96° , Zoom Mode: 60°

PHV132514: - PeepHole barrel: 14 mm

- fits any door 40~69 mm(1.57"~2.72") thick.

- View Angle:

Regular Mode : 99° , Zoom Mode: 60°

Sensor: 1.3 Mega Pixel CMOS

LCD Screen: 2.5" TFT

Power Source: 2 AA batteries (good for approx. 1500 "peeps")

Accessories: Base Flange, Tightening Tool, PeepHole,
2 AA Batteries, User Manual

Size: 146(W) x 90(H) x 30(D) mm

Weight: 0.4lbs