

speedy

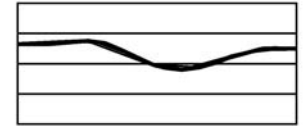
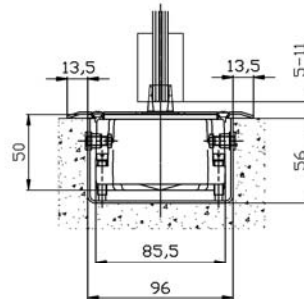
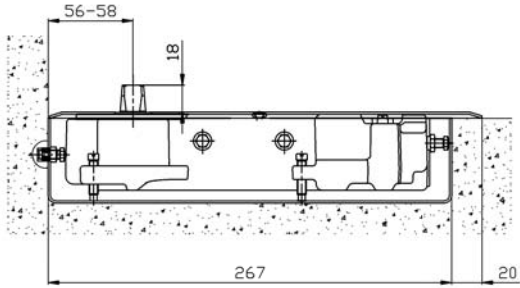
M60 INSTRUCTIONS



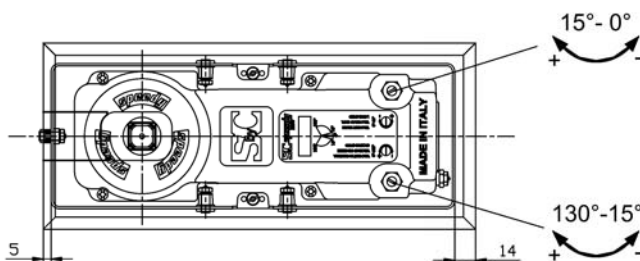
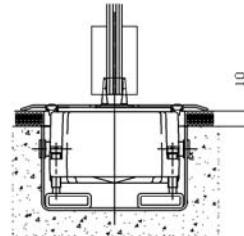
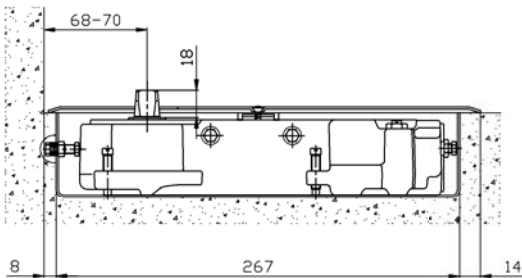
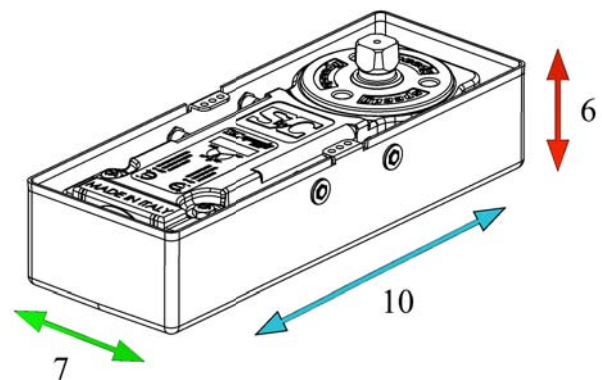
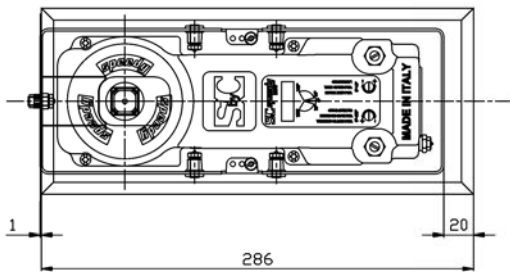
A RAINBOW IN
GLASS COMPETENCE



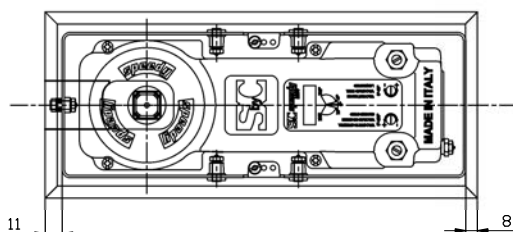
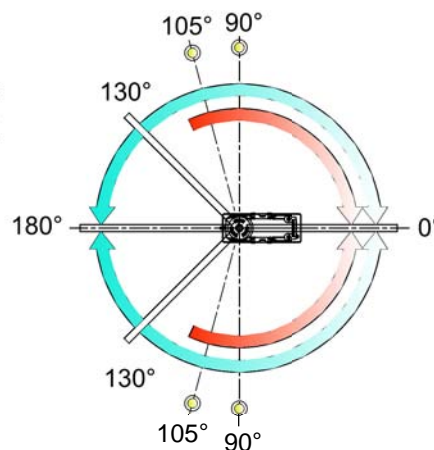
WWW.SBYC.IT



EASY OPENING



● Fermo costante
Costant hold-open
Retención constante



EN 1154 - 3
EN 1154 - 2
EN 1154 - 1
Max. 160 Kg
<750
750-1000
950-1150

SPEEDYBYCASMA SRL

PH +39 02 97298418 +39 02 87188746 - WWW.SBYC.IT - INFO@SBYC.IT

speedy

M60

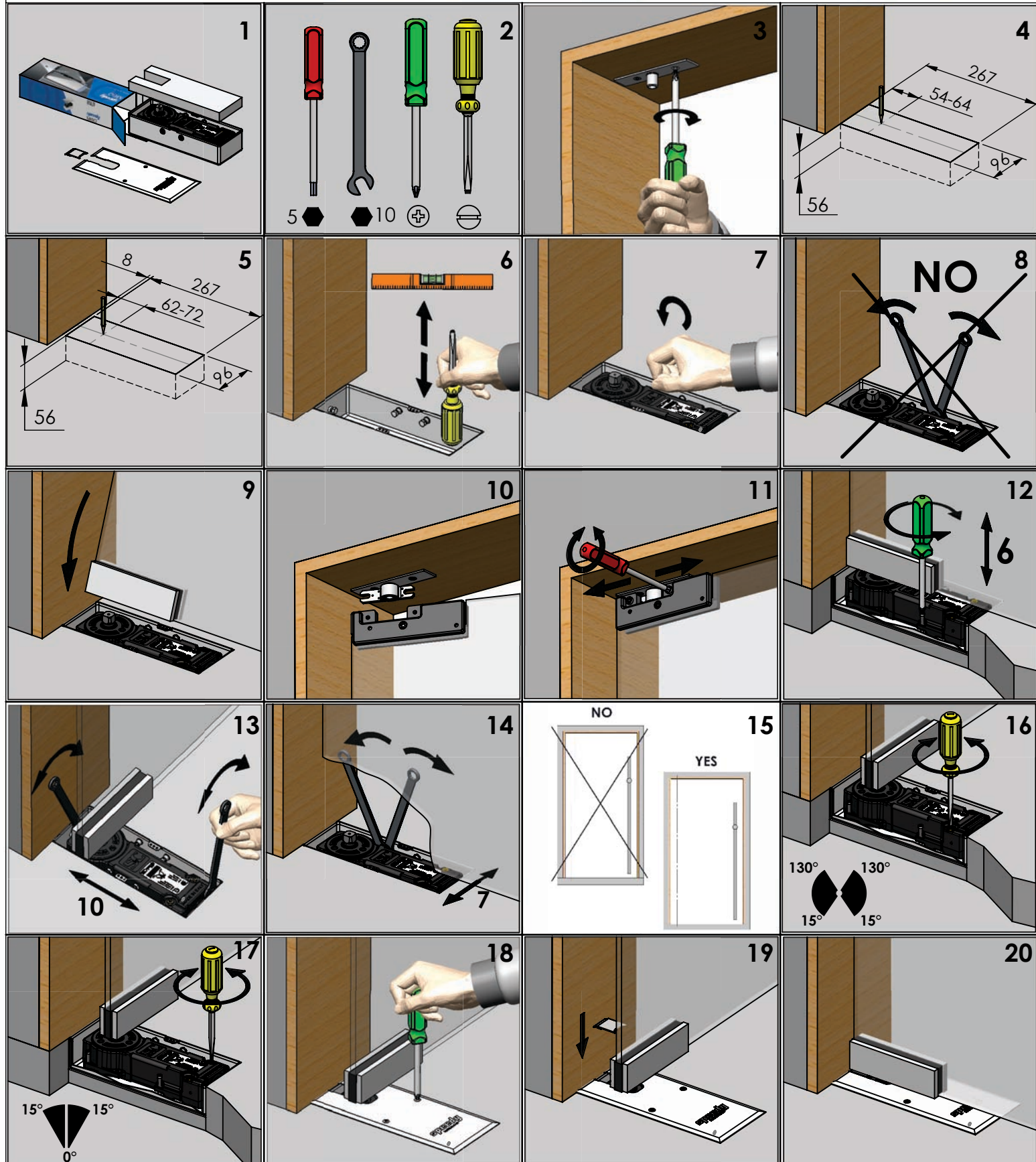
INSTRUCTIONS



A RAINBOW IN
GLASS COMPETENCE



WWW.SBYC.IT



SPEEDYBYCASMA SRL

Tel. +39 02 97298418 +39 02 87188746 - WWW.SBYC.IT - INFO@SBYC.IT