

PR2600



Security Tech Germany

Montage- und Bedienungsanleitung
Panzerriegel PR2600

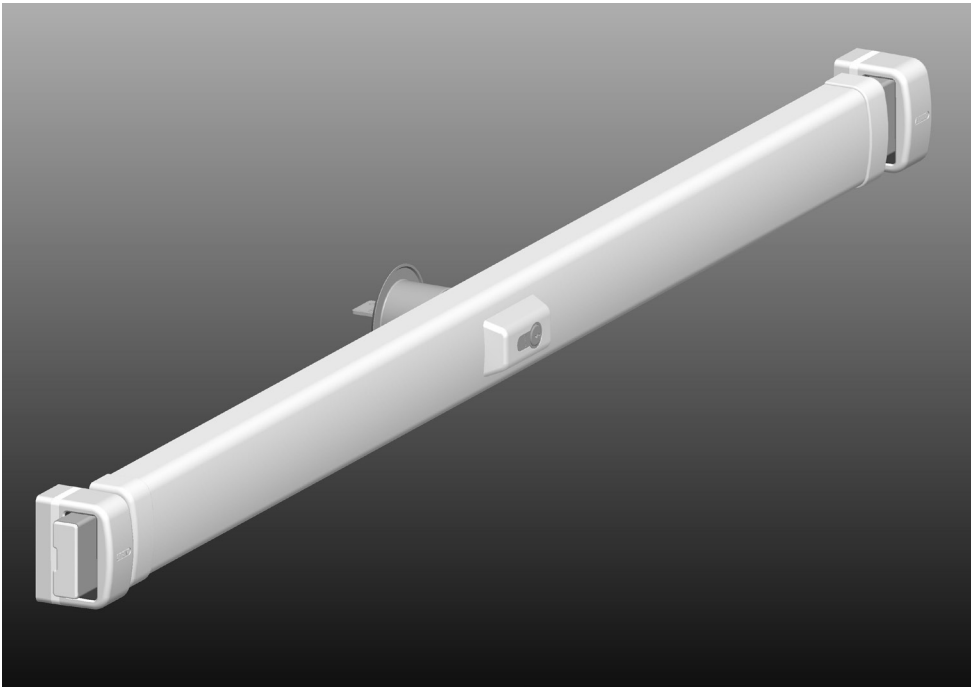
DE

Notice de montage et d'utilisation
Barre transversale blindée PR2600

FR

Fitting and operating instructions
Reinforced door bar PR2600

GB



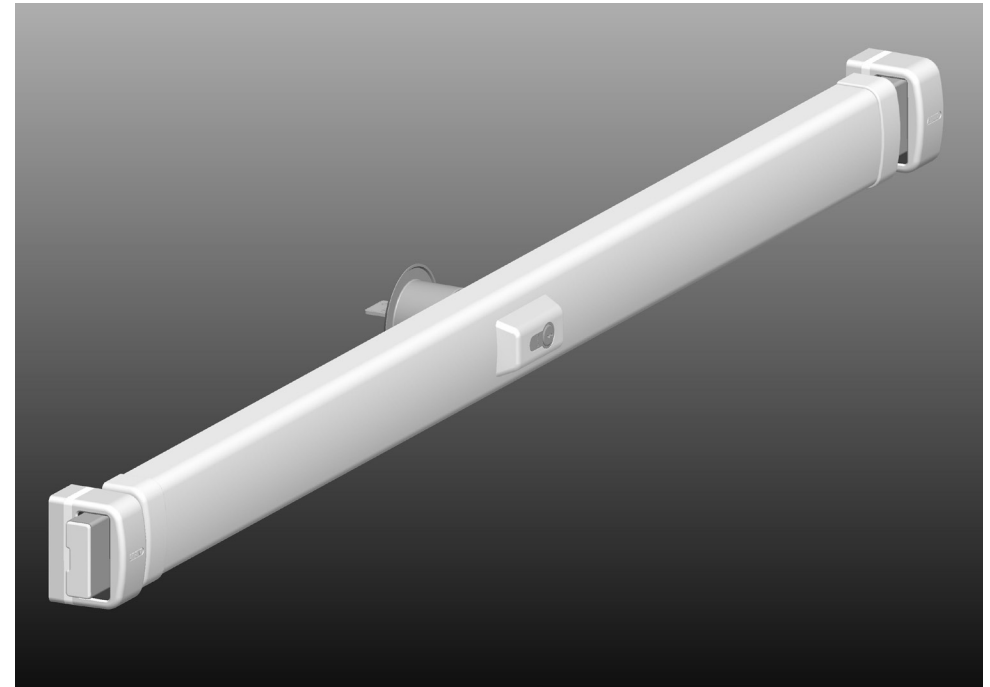
Notes

 PR2600



Fitting and operating instructions
Reinforced door bar PR2600

GB



Fitting and operating instructions for the ABUS reinforced door bar PR2600

Contents:

- I. Package contents
- II. General information
- III. Field of application of the PR2600
- IV. Fitting tools
- V. Replacing the door cylinder (optional)
- VI. Fitting instructions for doors that open inwards
- VII. Operating instructions

Appendix:

ABUS special accessories, available from retailers.

PWA2700 – Wall strike plate if there is no installation space available for the normal lock case

PV1820 – Frame passage screw connection for the lock cases

PA1018 – Fixing set for doors that open outwards

DS10 – Spacer discs 10 mm for cylinder protection

Underlay for the lock body – Wooden board enabling improved assembly position for doors that open outwards as well as flush doors

ASP17 – Mounting plate for lock casings

I. Package contents

Package contents of the PR2600 in a standard design (see Fig. 1)

Pos.	Quantity	Designation
1	1 x	Reinforced door bar PR2600
2	1 x	Cover for the lock body
3	2 x	End piece for the cover
4	3 Sets	Screw-on plate
5	2 x	Plastic underlay
6	2 x	Lock case
7	1 x	Protective cap for the lock case
8	4 x	Cylinder escutcheon for the outside
9	4 x	Bridging cartridge \varnothing 6 mm
10	4 x	Dowel \varnothing 6 mm
11	4 x	Dowel \varnothing 10 x 120 mm
12	8 x	Screw \varnothing 3,5 x 6,5 mm
13	4 x	Screw \varnothing 4 x 35 mm
14	4 x	Screw \varnothing 4,2 x 22 mm
15	3 x	Key for door cylinder
16	1 x	Fitting and operating instructions (without fig.)

Individual parts (Fig. 1)



GB

II. General information

The ABUS reinforced door bar provides additional protection against unauthorised break-ins into rooms. It is suitable for all standard doors made of wood, metal and plastic. Not all varieties of use for the **PR2600** can be addressed with these fitting instructions. Ask a dealer if necessary.

The optimal protective effect is reached if you proceed according to these fitting and operating instructions. The mounting screws should be tightened **manually** with a suitable tool to avoid overwinding. Prior to fitting, you should ensure that the reinforced door bar is suitable for the structural circumstances. The manufacturer disclaims all liability for any injury or damage caused during fitting and/or by improper handling!

We recommend allowing a specially trained specialist installer to execute the fitting.

III. Field of application of the PR2600

The **PR2600** is suitable for all hinged and unhinged doors that open inwards and outwards, DIN right or DIN left (Fig. 2). Doors with panelling and/or border trimmings must be individually adjusted (use lock underlays if necessary).

The standard design is suitable for doors opening inwards (door panel width of 735 mm to 1030 mm and door panel thicknesses of 35 to 50 mm).

For doors opening outwards or thick doors, special accessories are available commercially.

The **PR2600** can be fitted with a knob cylinder or a door half-cylinder (without the possibility of closing from the outside).

The **PR2600** can also be equipped with different door cylinders following EN DIN 1303 / DIN 18252.

We recommend fitting beneath the mounting (Fig. 3).

The fitting of 2 pieces **PR2600** is recommended in the event of increased safety requirements. One is then fitted above and below the mounting (Fig. 4).

The closing direction can be adjusted according to the door lock.

Fig. 2

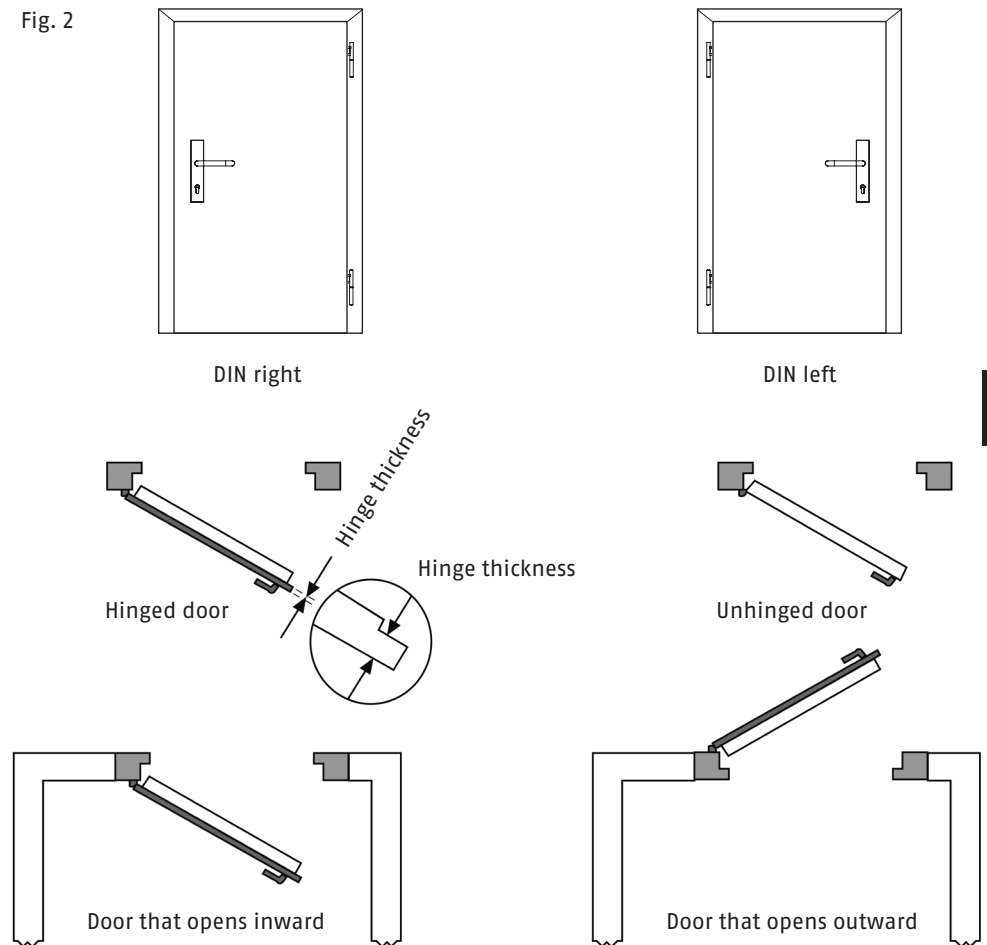


Fig. 3

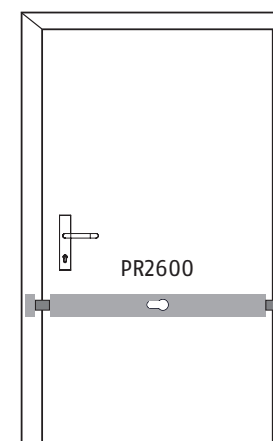
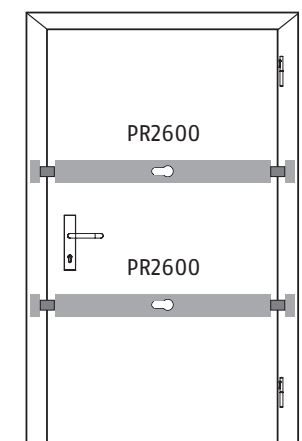


Fig. 4



IV. Fitting tools

- Screwdrivers
- Drilling machine for wood, metal and walls
- Metal drill:
 - Ø 3,0 mm
 - (also use with wood) Ø 3,5 mm
 - Ø 5,0 mm
 - Ø 8,5 mm
 - Ø 10,0 mm
- Masonry drill bit:
 - Ø 10,0 mm, length of at least 180 mm
 - Ø 6,0 mm
 - Ø 16,0 mm, for a wall lock
- Milling cutter/hole saw: Ø 51 - 55 mm
- Mechanic's level, metering rule
- Hexagon socket screw key SW 3, SW 4, SW 5
- Metal saw, file
- Tools for additional work are not included in this installation

V. Replacing the door cylinder

If the door cylinder does not need to be replaced, continue to read under chapter VI.

With door leaf strengths above 50 mm and/or if the door cylinder has to fit in a locking system, the standard door cylinder must be replaced.

The same applies if it is set to be fitted without any "option to lock from outside".

1. New door cylinders correspond to DIN EN 1303/DIN 18252 and obtain spacers and longer screws if required:

- With door leaf strengths greater than 50 mm: Obtain door cylinders of a greater length (see tab 1), as well as spacer and longer screws if required
- Use the door half-cylinder 10/30 during fitting without the possibility of closing from the outside

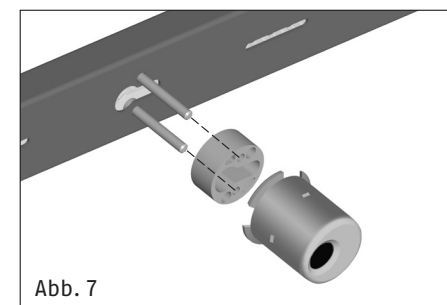
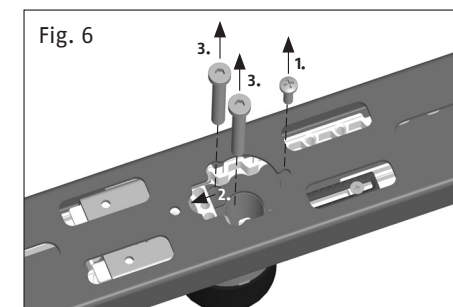
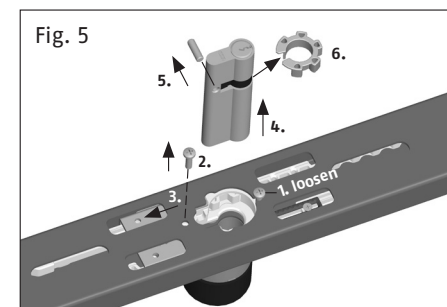
Table 1

Door panel thickness in mm	Cylinder dimensions in mm (Dimension inside/Dimension outside)	Spacer discs with a thickness of 10 mm, Quantity	Screws DIN 7984 – 8.8 in mm
35 - 50	30/60	–	enclosed
51 - 60	30/70	1	enclosed
61 - 70	30/80	2	enclosed
71 - 80	30/90	3	M6 x 60
81 - 90	30/100	4	M6 x 60
91 - 100	30/110	5	M6 x 70
101 - 110	30/120	6	M6 x 70

2. Lock door bars and remove the door cylinder in the specified order according to Fig. 5.
3. Change the grub screw and the gear-wheels clip of the standard door cylinder to the new door cylinder, according to Fig. 5. The grub screw must protrude at the same distance on both sides.

If the cylinder length does not change, continue to point 8.

4. Unscrew the loosened screw 1 (Fig. 6), move the gear-wheel housing in the direction of the arrow. Unscrew the cylinder protection's screws located beneath (Fig. 6).
5. Remove the cylinder protection according to Fig. 7 and place additional spacer disc/s (Tab. 1.) between the cylinder protection and the lock body. Tighten with screws (Tab. 1).
6. Pull the gear-wheel housing into the old fitting position again (Fig. 6) and fix loosely with screw 1.
7. Push toothed gear racks in the direction of the arrow (fig. 8) until they stop, whereby the upper ones must be pushed back by one tooth.



8. Reinstall the door cylinder in the reverse order (Fig. 5). If the indentations do not correspond, loosen the stop screws 6. and 7. (Fig. 8), pull both door bars out until the gear-wheels do correspond and complete the installation of the door cylinder. Set the key pull-off position (see the instructions below).

Notes on setting the key removal positions:

Setting the 1. key removal position:

- Bars are locked, key is removed. Loosen stop screw 6 according to fig. 8, push the stop slide in the direction of the arrow until it stops, tighten stop screw.

Caution! Do not overwind.

Setting the 2. key removal position:

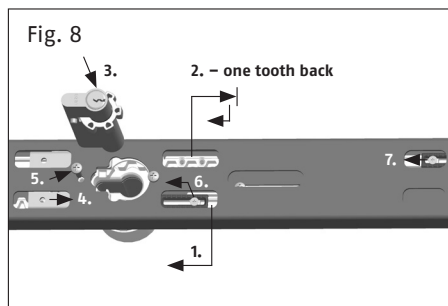
- Lock the bar with two key rotations and remove the key. Loosen stop screw 7, push the stop slide in the direction of the arrow until it stops, tighten stop screw.

Caution! Do not overwind.

When locking with one turn:

- Lock the bar with two key rotations. Unscrew stop screw 6., hold stop slide, close back the bar with one turn, remove the key. Push the stop slide in the direction of the arrow until it stops, tighten stop screw.

Caution! Do not overwind.



VI. Fitting instructions for doors that open inwards

For a door opening outwards, please continue to read about special accessory PA1018 in the fitting manual.

Before fitting, please check the door setting and properly set if required.

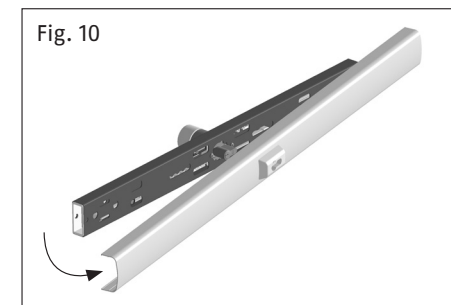
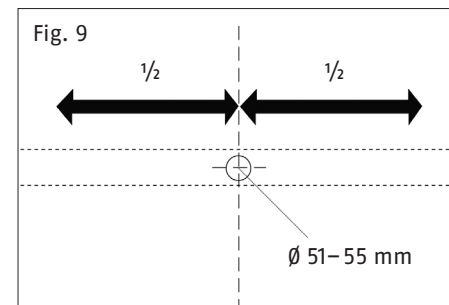
Please check that the PR2600 fits onto the door panel for one-turn locked door bars before carrying out the fitting steps described below. Perhaps use PWA2700 in the narrow niche area (fig. 24 - 26).

If the PR2600 can or must be used for one-turn locking, the key removal position must be set before fitting the lock body (see Chapter V, 8.).

Fitting the lock body

1. Set and mark the position of the lock body on the door panel (Fig. 3+4).
2. Mark a hole \varnothing 51-55 mm in the middle accordingly Fig. 9 and drill with a milling cutter/ hole saw from both sides.

Before fitting the lock body, remove the cover hood corresponding to Fig. 10.



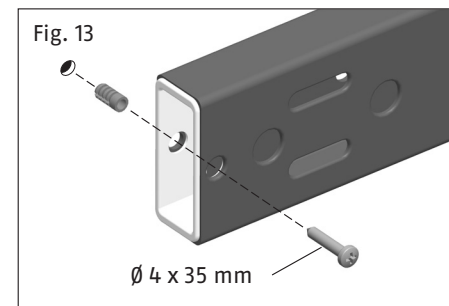
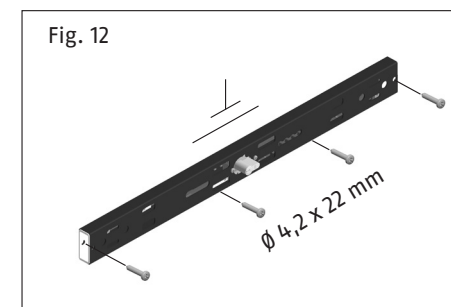
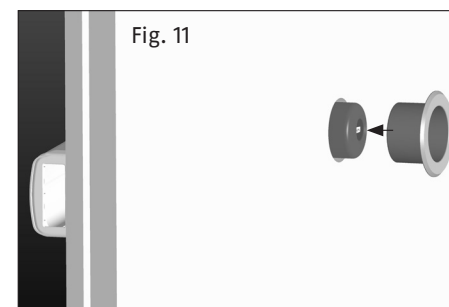
3. Mount the lock body, attach the escutcheon at door exterior (Fig. 11).

4. Position lock body corresponding to Fig. 12.

Pre-drill the position of the mounting screws (wood \varnothing 3,0 mm/metal \varnothing 3,5 mm) and tighten the lock body with screws \varnothing 4,2 x 22 mm.

Note: With cavity doors, pre-drill \varnothing 6mm, use supplied bridging cartridge and tighten with \varnothing 4 x 35 mm screws corresponding to Fig. 13.

Caution! Do not overwind.



Changing the closing direction

Close the door bar until the door bar adjusting screw is accessible in the first window and corresponds in height to the screw hole on the opposite side (Fig. 14). Unscrew the screws and retighten the opposite ones in each case.

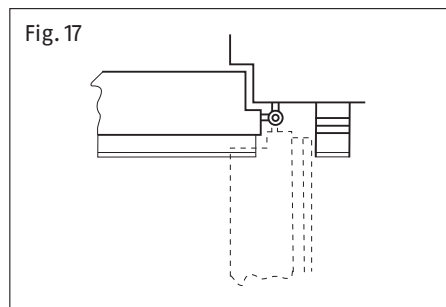
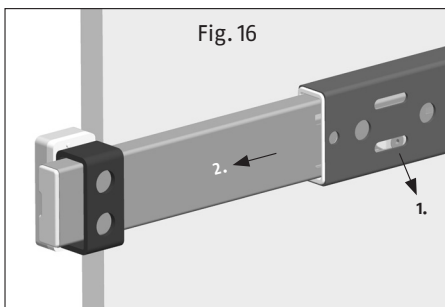
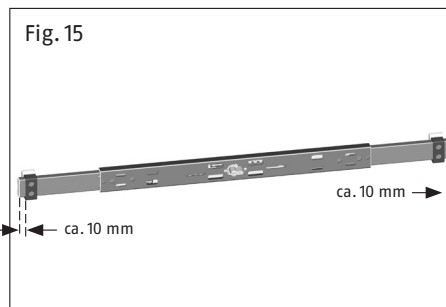
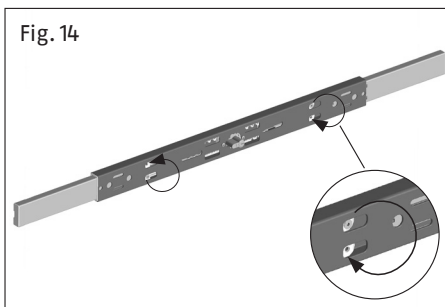
Lock case fitting and setting the door bar length

Close the door bar and remove the key. Attach the lock case to the door bar (Fig. 15). If there is no suitable attachment point, loosen the door bar adjusting screw (1.) according to Fig. 16 and move the door bar casing until such time as a suitable mounting point is reached. Mark the lock case position.

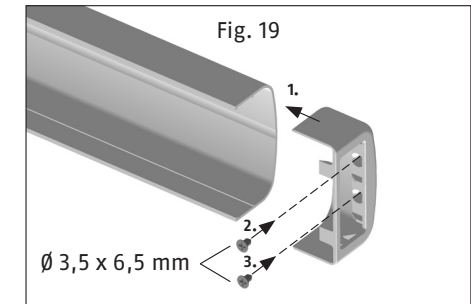
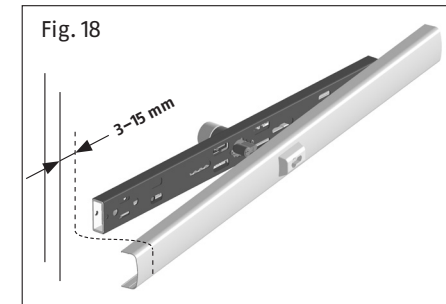
Retighten the door bar adjusting screws (1.) when the door bar position has been set.

The following applies:

- Make sure that there is a stable subsurface and good attachment possibilities. Anchoring the lock cases to the brickwork is especially recommended.
- Lock cases should be fitted as close as possible to the door edge, taking a) into account.
- One-turn locking can suffice with narrow doors (see chap. V, 8).
- The door bar should protrude at least 10 mm from the lock case (Fig. 15).
- Use lock case with plastic underlays, when hinge thickness is up to 14 mm. When hinge thickness is above 14 mm, use lock case with screw-on plate and, if necessary, plastic underlays (Fig. 16).
- Avoid a collision between the lock body and the lock case on the hinge side, install a separate door stopper if possible (Fig. 17).



- Close the door, hold the cover onto the lock body and first mark and make a cut of 3-15 mm on both sides according to the door frame width, z.B. with a metal saw (Fig. 18).
- Press down the door bar guides and secure with 2 screws 3.5 x 6.5 mm (Fig. 19).
Caution! Do not overwind.
- Press down the cover onto the lock body (Fig. 20).



Attaching the lock cases

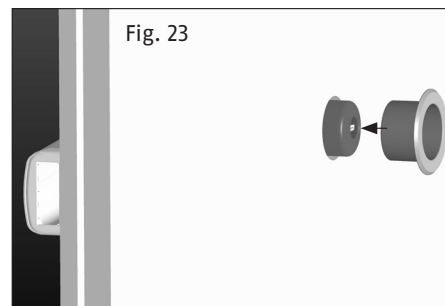
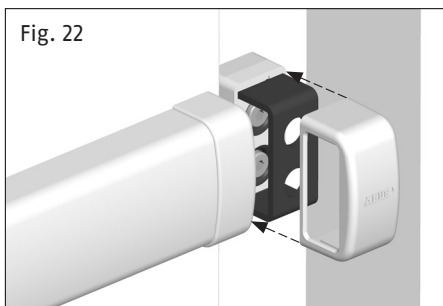
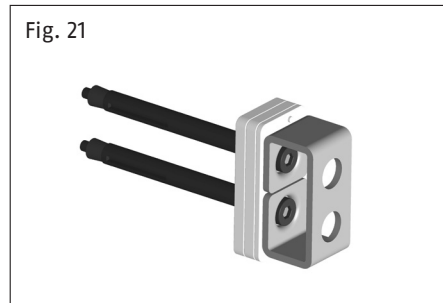
Close the door bar, put the lock cases with screw-on plate and plastic underlays underneath according to the rebate height, hold onto the marked fitting position, align vertically in the centre of the door bar and mark out. Close the door bar (Fig. 15).

Fitting without screw-on plates with or without plastic underlays (Fig. 21)

1. Hold the lock case with the defined plastic underlay onto the marked lock case position. Drill out holes with \varnothing 20 mm and a depth of 6 mm for unhinged doors and a rebate < 5 mm on the mounting position. Bore through both mounting holes with \varnothing 5 mm and a depth of at least 60 mm for the frame dowels. Screw in the wooden screw or insert the complete dowel with the screw and tighten.

If the screws or the dowels cannot find a secure grip, we recommend all-through screw fittings with **PV1820** (Fig. 27) or the use of composite mortar from well-known brands in connection with a cylinder screw with hexagon socket and low profile head DIN 7984-M 8 x 120 – 8.8 or longer.

2. Press down the cover onto the lock cases (Fig. 22).
3. Press the cylinder escutcheon firmly onto the door exterior (Fig. 23).
4. The door bar can also be incorporated into the wall instead of fitting the lock case. In this case, the cover for the hole in the wall **PWA2700** (Fig. 24 - 26) can be used.



VII. Operating instructions

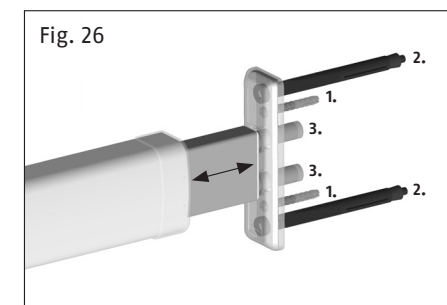
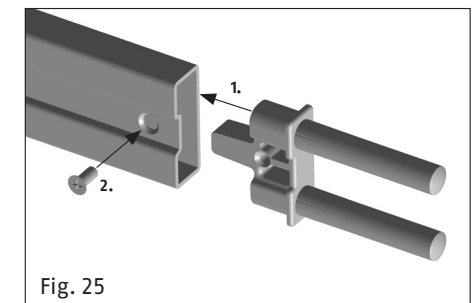
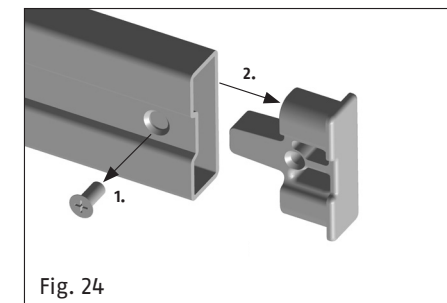
1. Close the door initially with the existing closing safety device. Then activate the reinforced door bar **PR2600** as additional protection using the key. Close the door bar until the end stop by turning the key once or twice.
2. The **PR2600** must be retracted the other way around until the end stop before opening the door.
3. The reinforced door bar **PR2600** is maintenance-free and does not require any lubricant. Do not use any aggressive or abrasive cleaning products when cleaning the surfaces. The ABUS care spray **PS88** is suitable for the cylinder.

Special accessories

PWA2700

Note: An embrasure breadth of at least 86 cm is required for embedding into the wall on both sides (doorway 90 cm).

- When using the **PWA2700**, first loosen the screws on the rear of the door bar and remove the door bar end piece (Fig. 24).
- Insert the door bar end piece with round bolts and tighten with the screw (Fig. 25).
- Mount the wall strike plate onto the round bolts.
- Lock the door bar onto the wall until the end stop. Mark out the attachment points (1.) of the wall strike plate. Close back the door bar (Fig. 26).
- Pre-drill the attachment points for the wall strike plate with \varnothing 6 mm, insert the dowel and screw (Fig. 26).
- Drill through both of the external mounting holes (2.) with \varnothing 10 mm, and a depth of at least 140 mm. Insert the complete dowel with the screw and tighten (Fig. 26).
- Drill out the holes for the connecting bolts (3.) with \varnothing 14 - 16 mm, width a depth of 70 mm (Fig. 26). Press down the plastic cover.

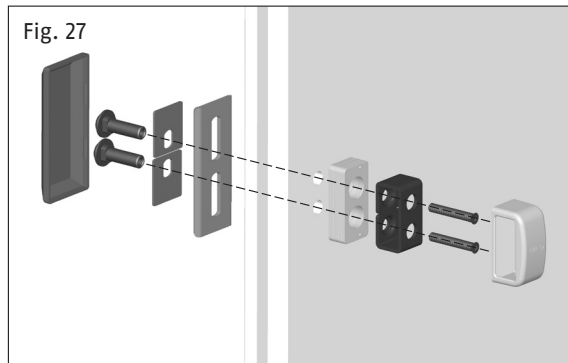


PV1820

Fixing set with all-through screw fitting to attach the lock cases onto the door frames or on the wall (Fig. 27).

It is used if the lock cases cannot be mounted to the door frames or wall in a stable manner. The outer cover is visible, use one **PV1820** per lock case.

Drill through the mounting holes of the lock cases with \varnothing 8–9 mm, drill out \varnothing 13–15 mm and a depth of 35 - 40 mm from outside and screw the lock case (Fig. 27).



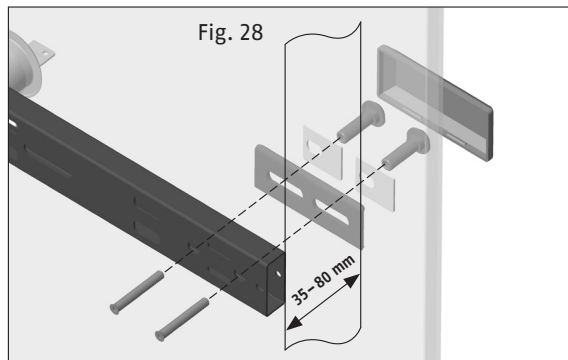
PA1018

Fixing set for doors that open outward (Fig. 28).

The fixing set **PA1018** is absolutely essential for a door that opens outward. It involves an all-through screw fitting, where the reinforced door bar is firmly fixed to the door panel. The fitting takes place according to the illustration.

Use longer screws for door panel thicknesses exceeding 80 mm (strength of at least 8.8).

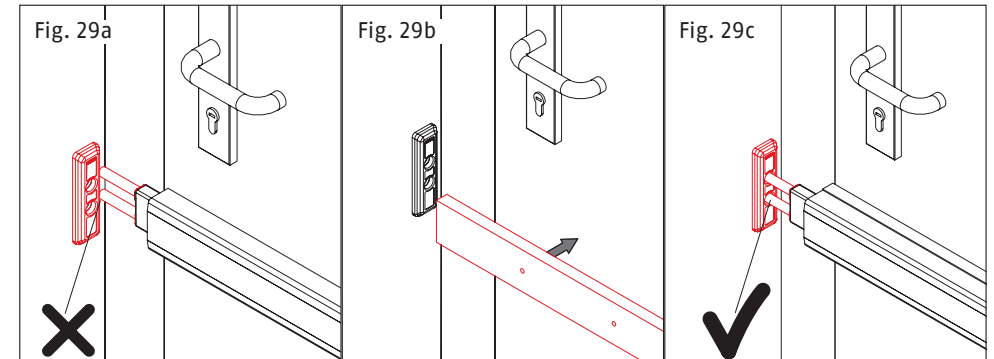
With fixed lock bodies using the existing mounting locks that are accessible depending on the door bar's position, drill through \varnothing 8,5 mm, drill out 13 - 15 mm and a depth of 35 mm and screw (Fig. 28).



Underlay for the lock body

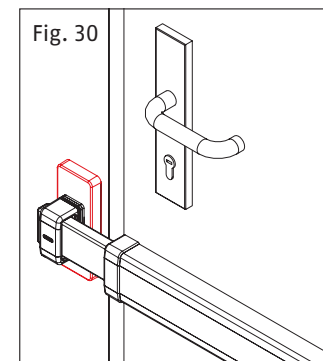
The lock body underlay allows for a more favourable assembly position of the wall cover plates to be achieved, as these can be mounted in a more stable area of the doorframe / wall as a result (Fig. 29).

Note: to determine the cylinder length required, the underlay thickness of 18 mm must be added to the existing thickness of the door leaf.



Mounting plate ASP17

The ASP17 mounting plate is suitable for the sturdy fixing of lock casings. It is used, in particular, when the options for anchoring the reinforced door bar lock casings directly and securely to the subsurface are inadequate. (Fig. 30, see separate installation instructions ABUS ASP17).



Ⓔ Technische Änderungen vorbehalten. Für Irrtümer und Druckfehler keine Haftung.

Ⓕ Nous nous réservons le droit de toutes modifications techniques.
Nous n'assumons aucune responsabilité pour erreurs ou défauts d'impression éventuels.

Ⓖ Subject to technical changes. We accept no liability for printing errors and mistakes.



© ABUS 2018 | ABUS August Bremicker Söhne KG | D 58292 Wetter | Germany.
Tel.: +49 (0) 23 35 63 40 | www.abus.com | info@abus.de