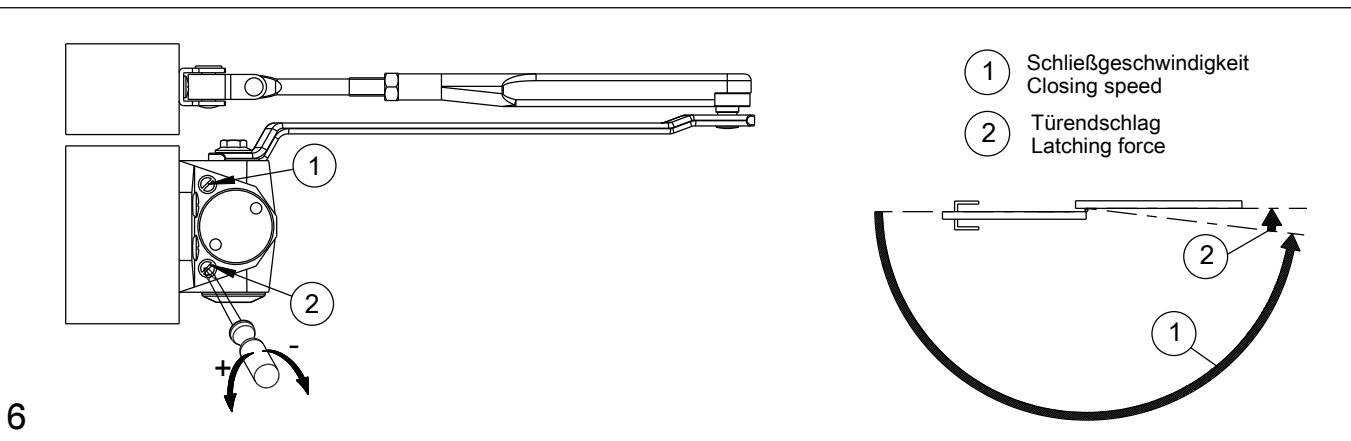
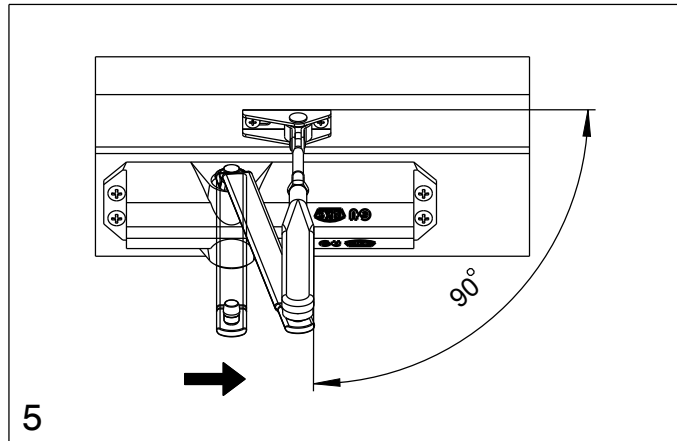
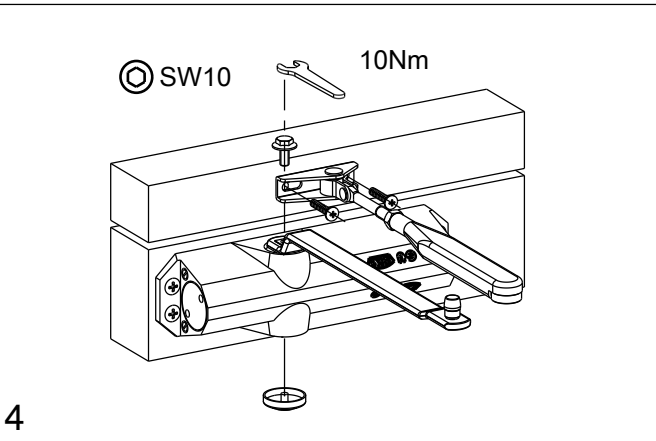
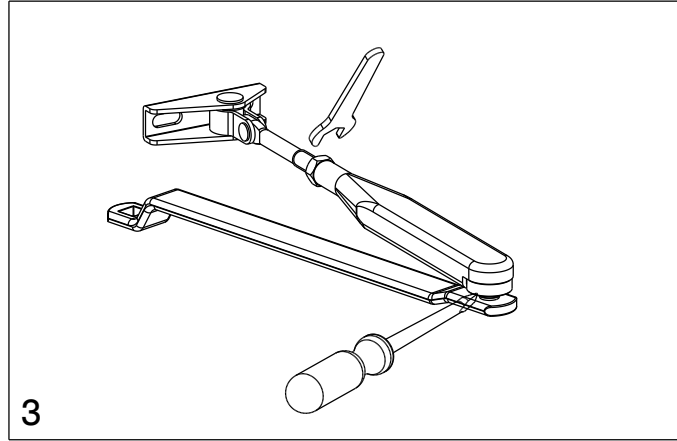
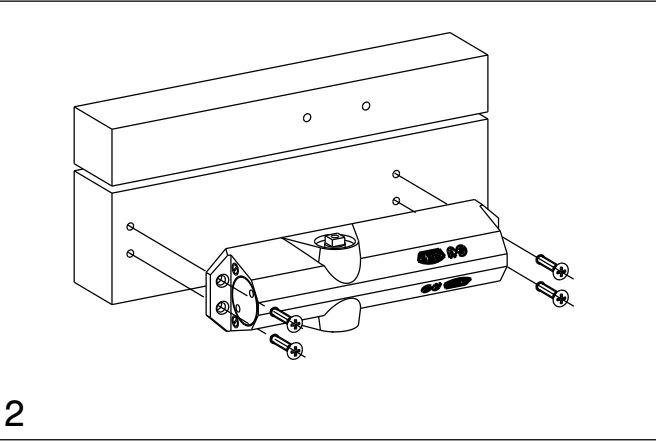
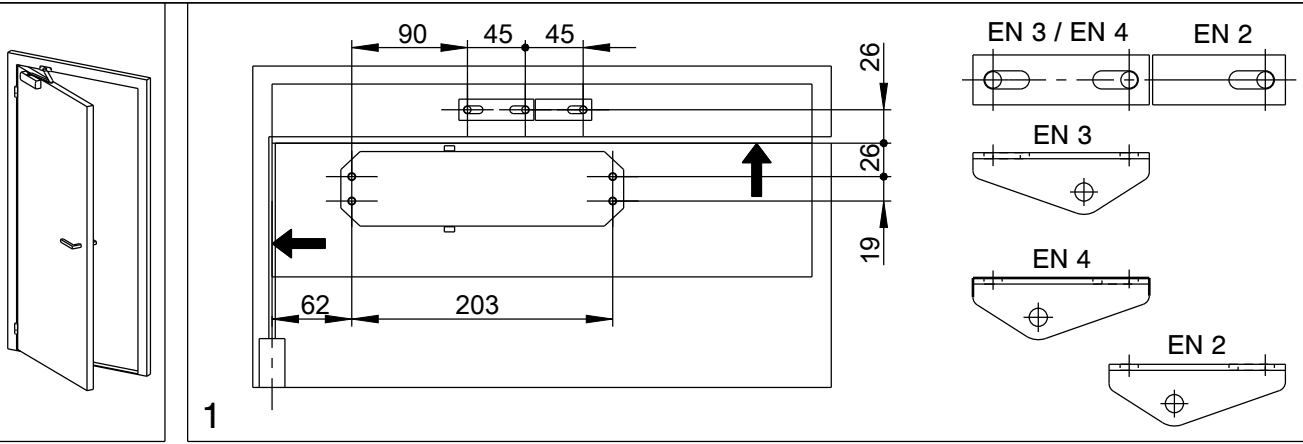


Declarations of Performance can be found at the GU-Homepage
["www.g-u.com/en/services/construction-products-regulation.html"](http://www.g-u.com/en/services/construction-products-regulation.html).
 You will find the product information 0-46884-P0-0-0
 "OTS/UTS/VTS -Door closer" at the GU-Homepage
www.g-u.com under "SERVICES" in the menu item "Downloads".

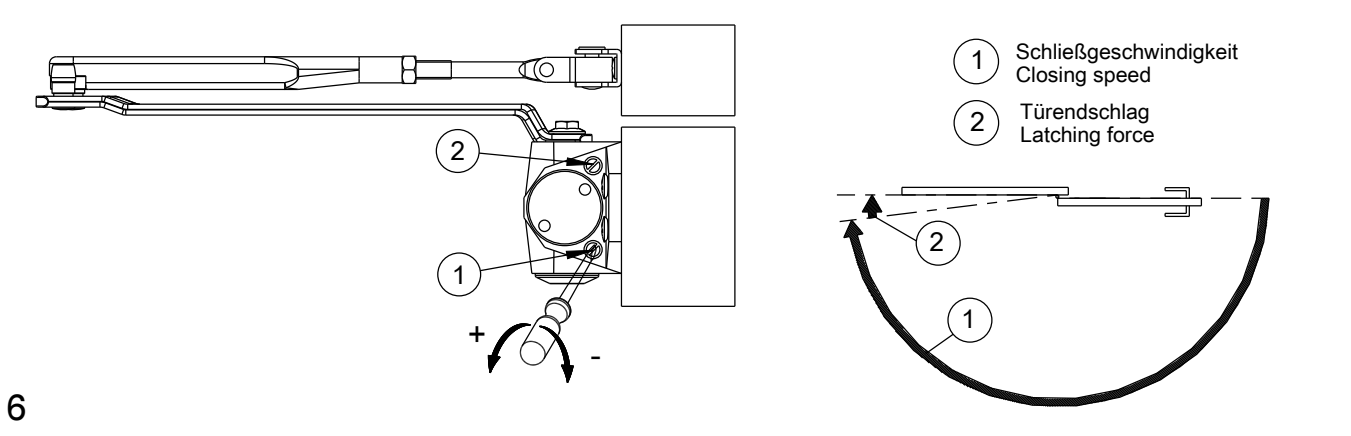
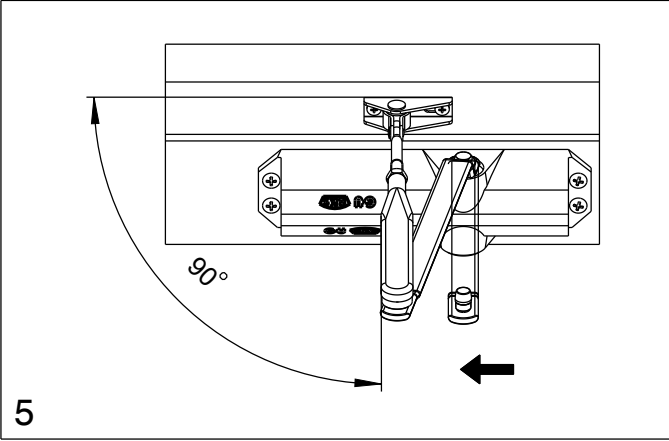
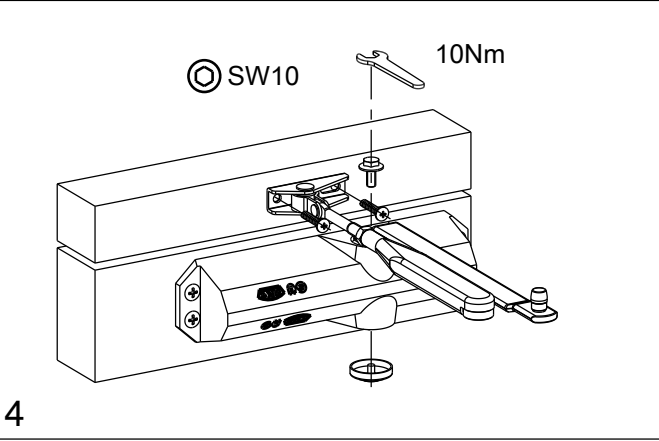
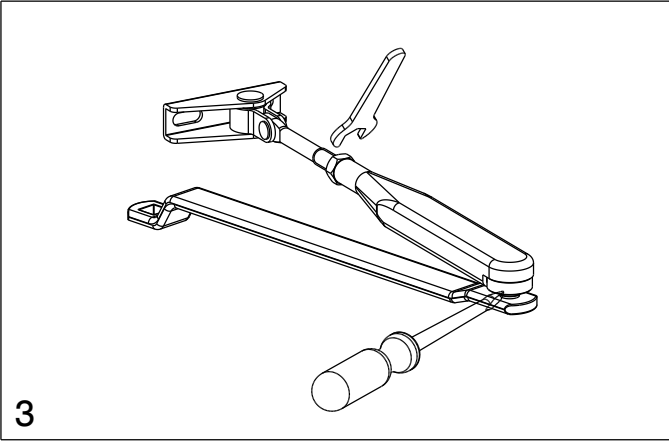
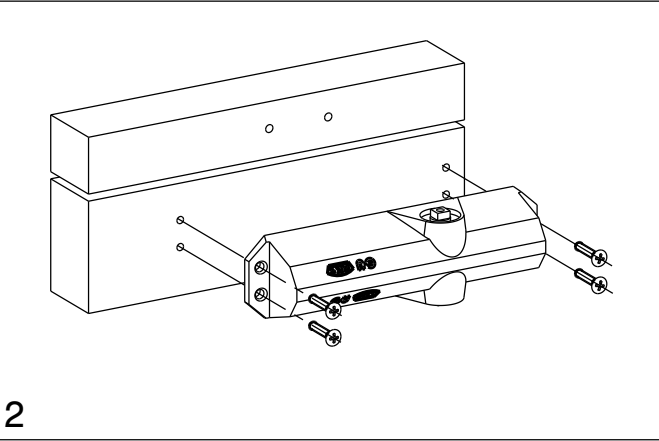
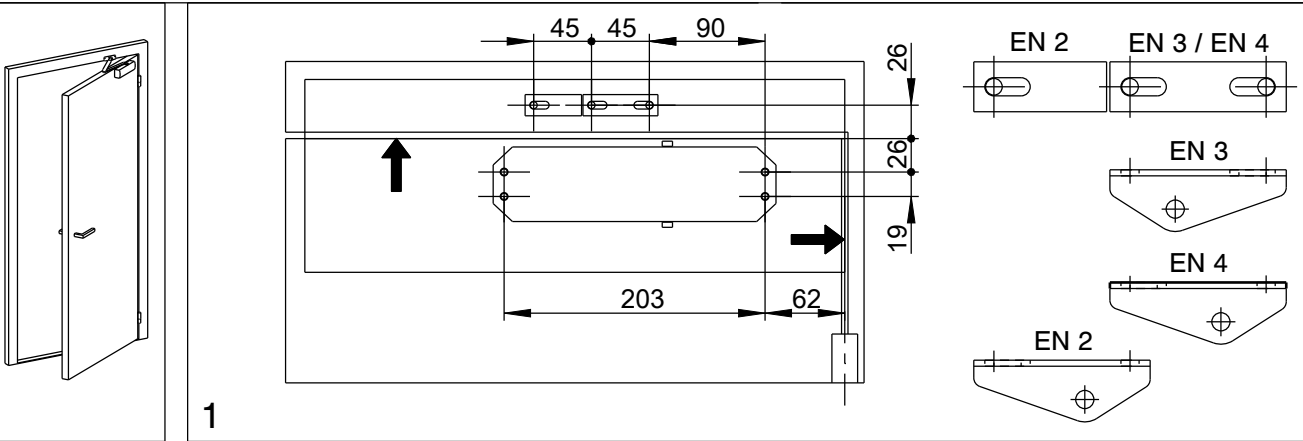
Leistungserklärungen finden Sie auf der GU-Homepage
["www.g-u.com/de/service/bauproduktenverordnung.html"](http://www.g-u.com/de/service/bauproduktenverordnung.html).
 Die Produktinformation Türschließer OTS/UTS/VTS (Art.-Nr. 0-46884-P0-0-0)
 finden Sie auf der GU-Homepage ["www.g-u.com/de/service/downloads.html"](http://www.g-u.com/de/service/downloads.html).

Proprietary rights apply in accordance with ISO 16016.



Description
 OTS 140 Normalmontage Bandseite , DIN links K-17041
 OTS 140 standard mounting on hinge side , DIN left K-17041

	Release No. --	Level	Released		Scale %	Modification 4	Size 4
	Mod. No. G34847	Ver.	--	Wi		Drawing No. 0-45363-PE-0-0	Sheet 1/4
	Replacement for M-00120		Draft	07.02.2018			

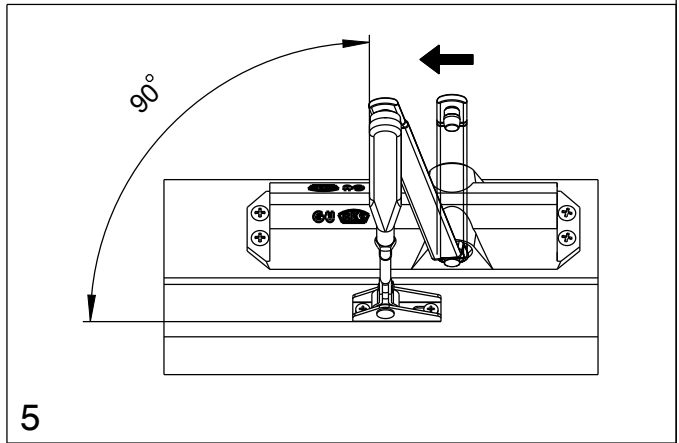
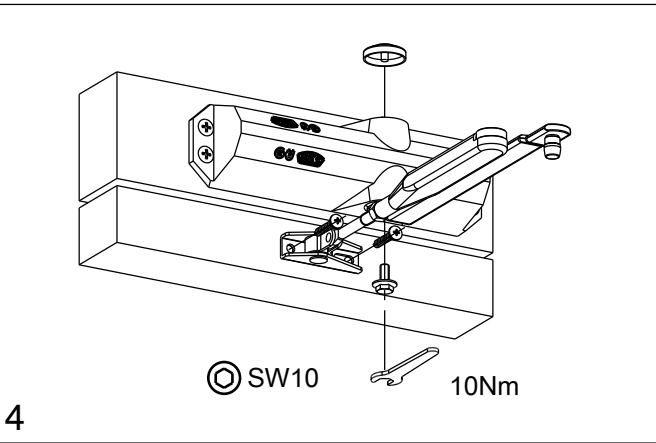
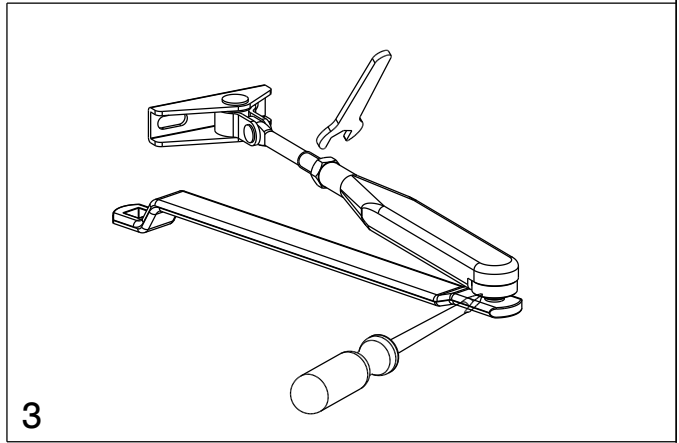
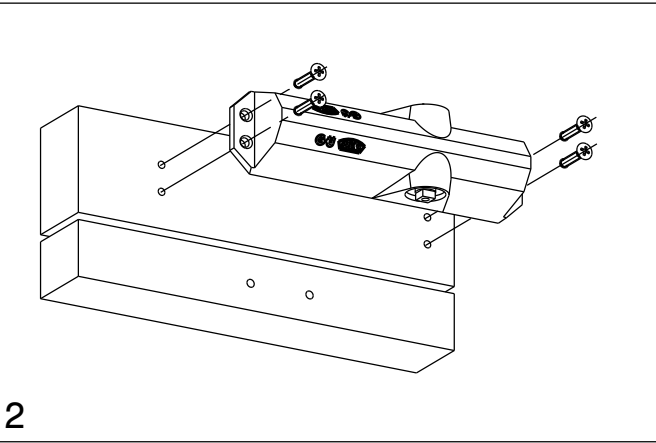
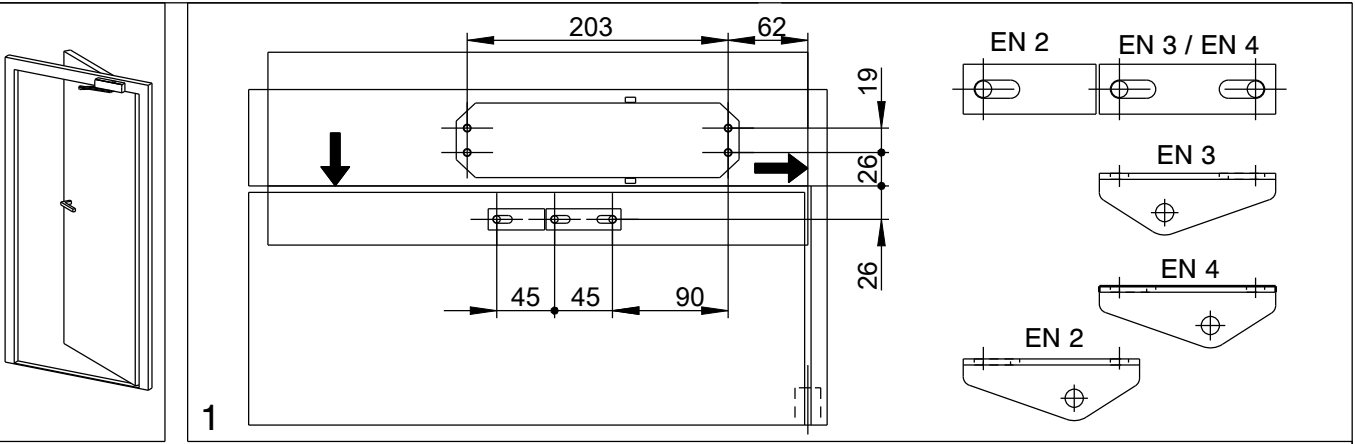


Description
 OTS 140 Normalmontage Bandseite , DIN rechts K-17041
 OTS 140 standard mounting on hinge side , DIN right K-17041

Montageanleitung
assembly instructions
V5

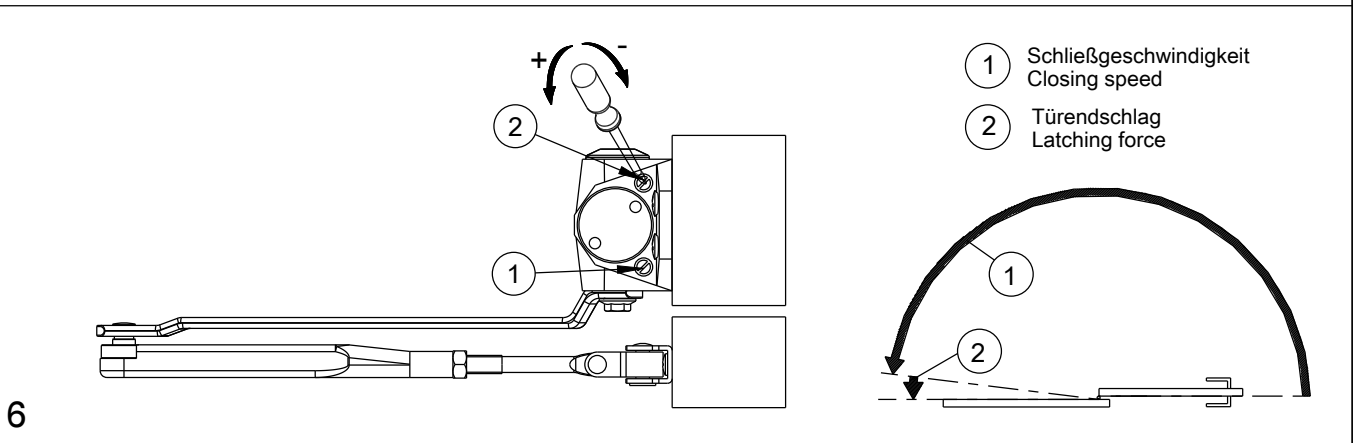
	Release No. --	Level	Released		Scale %	Modification 4	Size 4
	Mod. No. G34847	Ver.	--	Wi		Drawing No. 0-45363-PE-0-0	Sheet 2/4
	Replacement for M-00120	Draft	07.02.2018	Se			

Proprietary rights apply in accordance with ISO 16016.



Proprietary rights apply in accordance with ISO 16016.

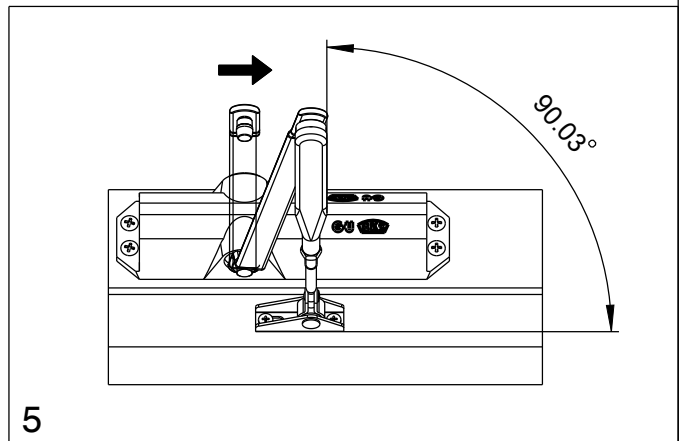
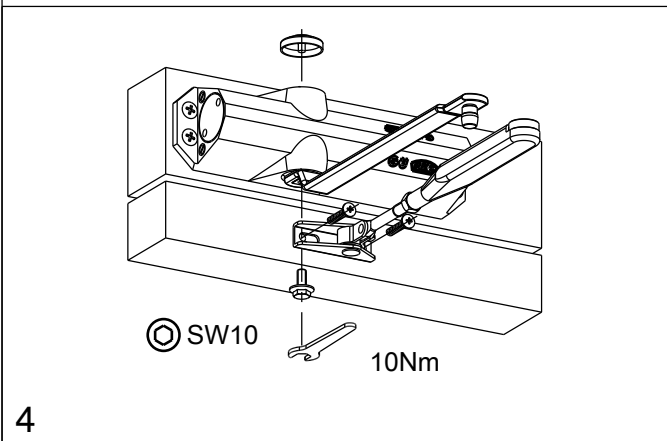
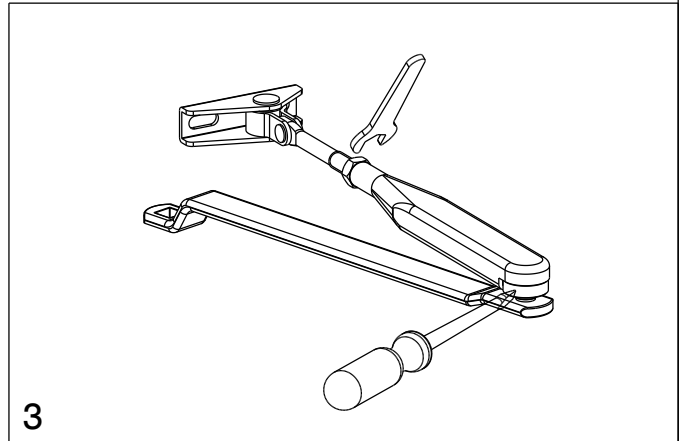
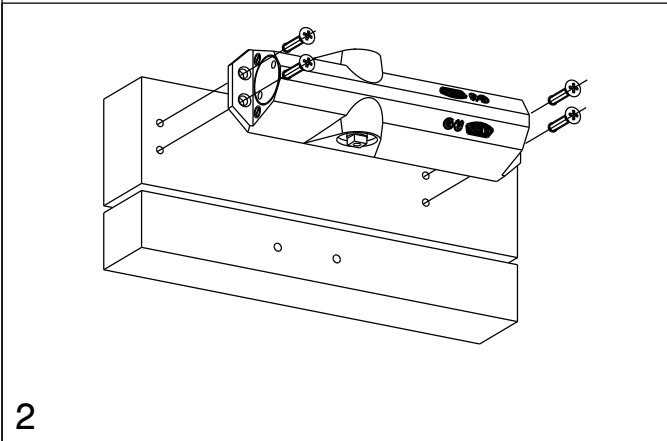
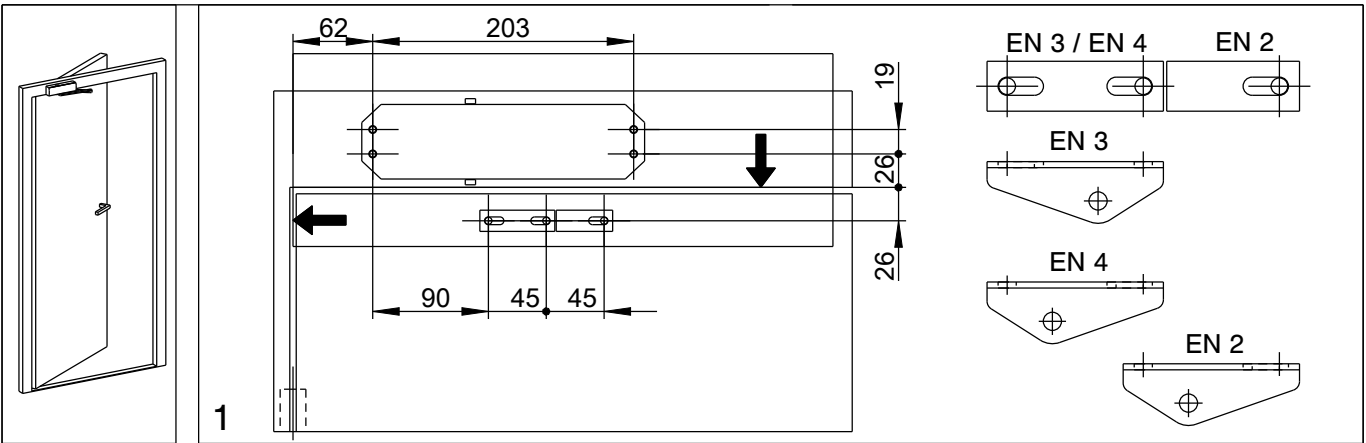
EN
ES
FR
--
--



Description
 OTS 140 Kopfmontage Bandgegenseite , DIN links K-17041
 OTS 140 transom mounting on side opposite to hinges, DIN left K-17041

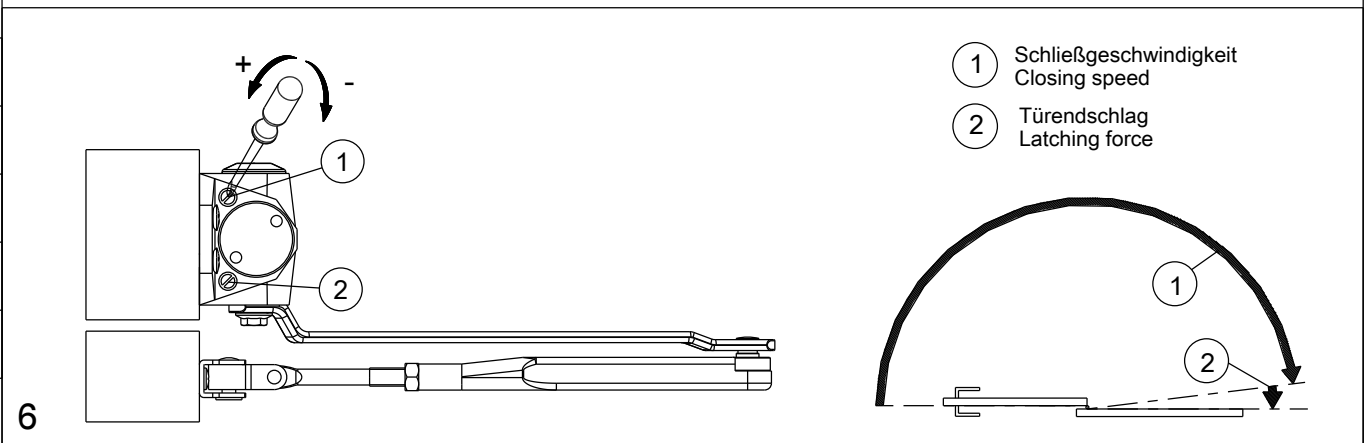
Montageanleitung
 assembly instructions
 V5

	Release No. --	Level	Released		Scale %	Modification 4	Size 4
	Mod. No. G34847	Ver.	--	Wi		Drawing No. 0-45363-PE-0-0	Sheet
	Replacement for M-00120	Draft	07.02.2018	Se			3/4



Proprietary rights apply in accordance with ISO 16016.

EN
ES
FR
--
--



Montageanleitung
assembly instructions
V5

Description

OTS 140 Kopfmontage Bandgegenseite , DIN rechts K-17041

OTS 140 transom mounting on side opposite to hinges, DIN right K-17041

	Release No. --	Level	Released		Scale %	Modification 4	Size 4
	Mod. No. G34847	Ver.	--	Wi		Drawing No. 0-45363-PE-0-0	Sheet 4/4
	Replacement for M-00120		Draft	07.02.2018			Se